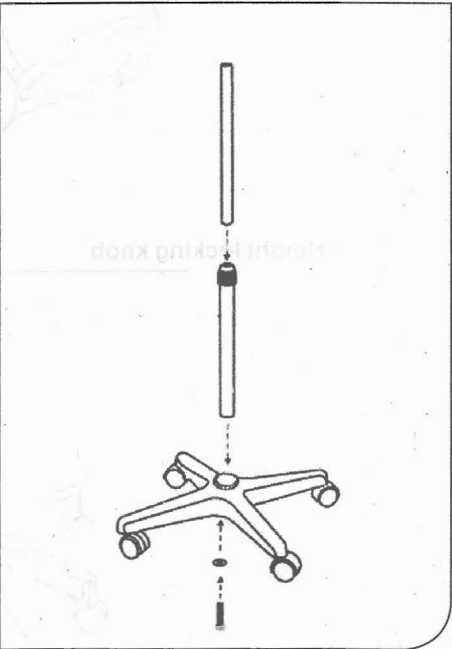
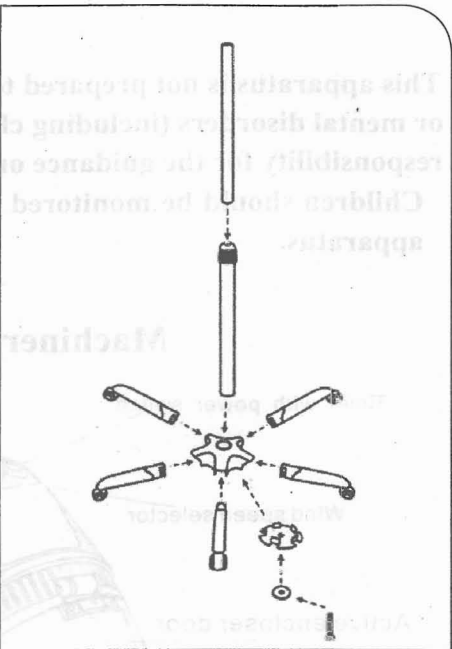
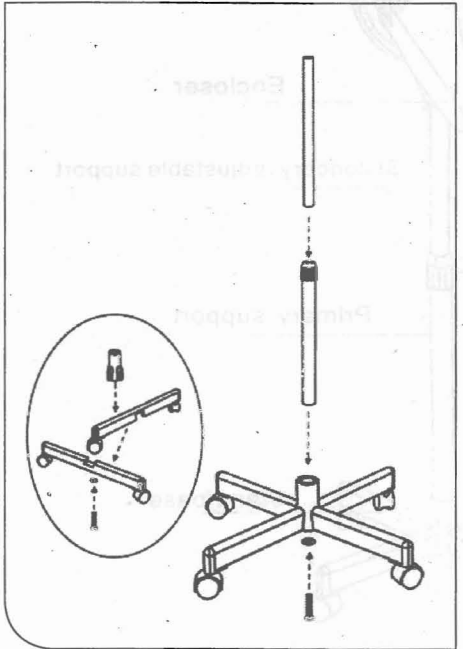
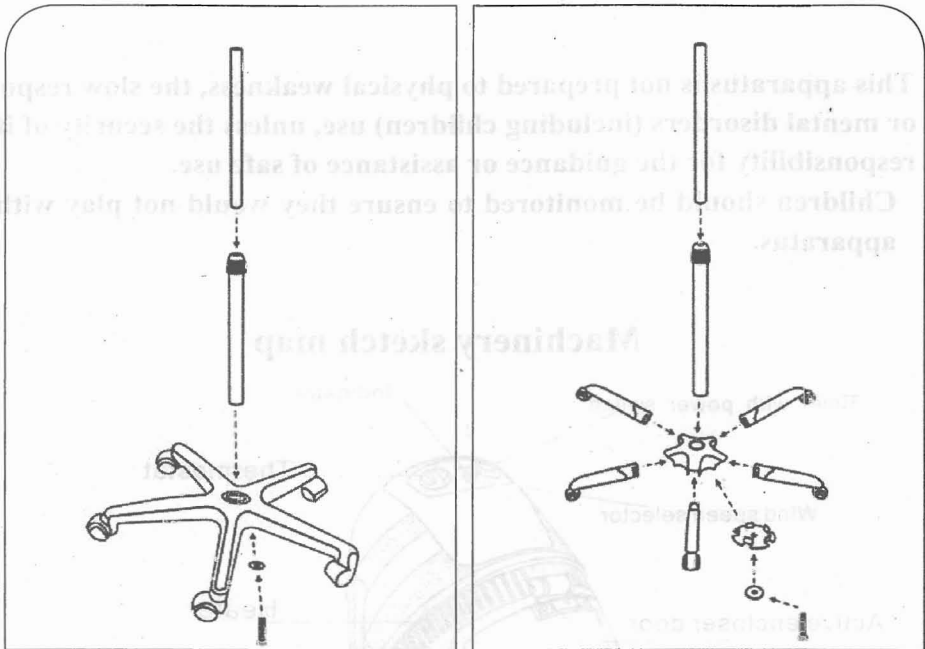


Assembly Instruction



HAIR-DRYING DEVICE Instruction Manual

- Features and Functions:**
- The hair-dryer functions variable response, it's reliable and durable.
 - It is equipped with stainless steel bearing.
 - There are hot and cold air-drying, heat-treatment and spot-caring functions.
 - Temperature can be adjusted from room temperature to 75°C.
- Installing Steps:**
- Place the hair dryer to an already installed stand, make sure the plastic hood-support is fully attached to the stand's side.
 - For installation of the stand, please refer to the stand's instruction.
- Operations:**
- Plug the main cable to a wall power outlet.
 - Turn the temperature control clockwise to your required level, adjust timer to required length, then switch the machine on by the switch in the middle.
 - In order to heat up instantly, adjust temperature control clockwise to its maximum.
- Attention:**
- Please to use the height adjusting knob is tighter, which may fix the height of the stand, before attaching the hair-dryer on to.
 - The heating tube must be closed when it is fixed and shifted just in case of changing.
 - Do not use the machine if someone using conditions are over 2.5m, because the color of colored part may be rubbed out. The it should not be repaired and serviced by a qualified technician, or professional person authorized by our factory.
 - Turn the temperature knob to "COOL" position for 15-20 minutes before turn on the "HEAT" switch (it is located in the middle).

Instruction Manual

Features and Functions:

- The hair-dryer functions variable temperature, it's reliable and durable.
- It is equipped with stainless steel heating element.
- There are hot perm, hair-drying, hair-treatment and spot-caring functions.
- Temperature can be adjusted from room temperature to 75°C.

Installing Steps:

- Place the hair dryer to an already installed stand, make sure the plastic hood-support is fully attached to the stand's tubes
- For Installation of the stand, please refer to the stand's instruction.

Operations:

- Plug the main cable to a wall power outlet.
- Turn the temperature control clockwise to your required level, adjust timer to required length, then switch the machine on by the switch in the middle.
- In order to heat up instantly, adjust temperature control clockwise to its maximum, and then power the machine up. When the temperature rises to a considerable level, you may have the temperature control down to a suitable strength.

Attentions:

- Please be sure the height adjusting knob is tighten, which may fix the height of the stand, before attaching the hair-dryer on to.
- The flexing tube must be closed upon when it is fixed and adjusted just in case of springing.
- Do not use the machine if abnormal wiring conditions presented e.g. aging, broken, discolored or enlarged protective rubber, etc. The machine must be inspected and serviced by a qualified technician, or professional person authorized by our factory.
- Turn the temperature knob to "COOL" position for at least one minute before turn off the "POWER" switch (red switch in the middle).

- This apparatus is not prepared to physical weakness, the slow response or mental disorders (including children) use, unless the security of its responsibility for the guidance or assistance of safe use.
- Children should be monitored to ensure they would not play with the apparatus.

Machinery sketch map

